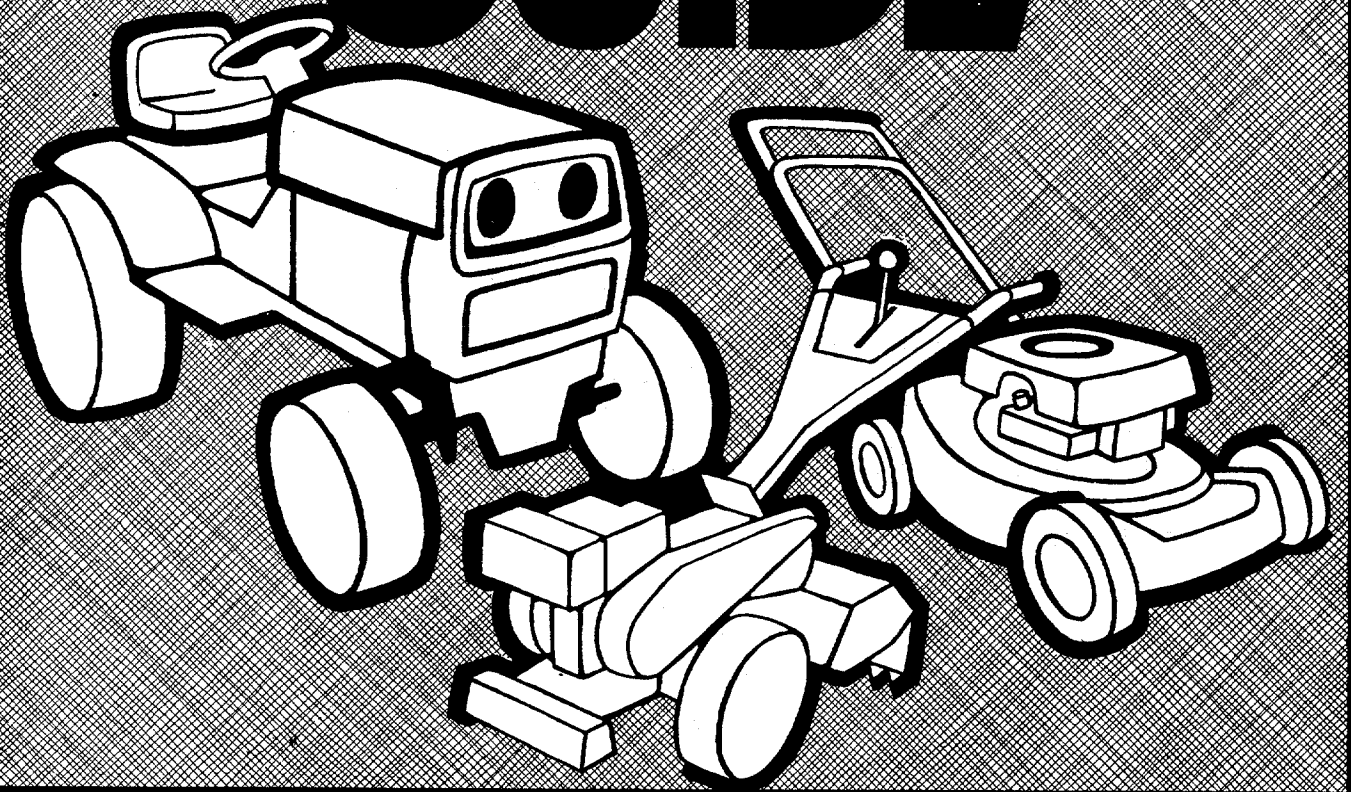


# OWNER'S GUIDE



ASSEMBLY • OPERATION • MAINTENANCE • PARTS

## 20" REAR DISCHARGE ROTARY MOWER

**Important:**

**Read Safety Rules and  
Instructions Carefully**

**Model Number  
111-330A**

# INDEX

Safe Operation Practices.....	3	Using Your Rotary Mower.....	14
Assembly .....	4	Off-Season Storage.....	14
Operation .....	10	Exploded Parts View.....	16, 18
Adjustments.....	11	Repair Parts List.....	17, 19
Lubrication .....	12	Parts Information.....	Back Cover
Maintenance .....	12		

## LIMITED WARRANTY

For one year from the date of original retail purchase, MTD PRODUCTS INC will either repair or replace, at its option, free of charge, F.O.B. factory or authorized service firm, any part or parts found to be defective in material or workmanship. Transportation charges for any parts submitted for replacement under this warranty must be paid by the purchaser unless such return is requested by MTD PRODUCTS INC.

This warranty will not apply to any part which has become inoperative due to misuse, excessive use, accident, neglect, improper maintenance, alterations, or unless the unit has been operated and maintained in accordance with the instructions furnished. This warranty does not apply to the engine, motor, battery, battery charger or component parts thereof. Please refer to the applicable manufacturer's warranty on these items.

This warranty will not apply where the unit has been used commercially.

Warranty service is available through your local authorized service dealer or distributor. If you do not know the dealer or distributor in your area, please write to the Customer Service Department of MTD.

The return of a complete unit will not be accepted by the factory unless prior written permission has been extended by MTD.

This warranty gives you specific legal rights. You may also have other rights which vary from state to state.



**WARNING**

### TO PURCHASERS OF INTERNAL COMBUSTION ENGINE EQUIPPED MACHINERY OR DEVICES IN THE STATE OF CALIFORNIA

The equipment which you have just purchased does not have a spark arrester. If this equipment is used on any forest covered land, brush covered land, or grass covered unimproved land in the State of California, before using on such land, the California law requires that a spark arrester be provided. In addition, spark arrester is required by law to be in effective working order. The spark arrester must be attached to the exhaust system and comply with Section 4442 of the California Public Resources Code.



**WARNING**

To reduce the potential for any injury, comply with the following safety instructions. Failure to comply with the instructions may result in personal injury.

## SAFE OPERATION PRACTICES FOR WALK-BEHIND MOWERS

### TRAINING

1. It is suggested that this manual be read in its entirety before attempting to assemble or operate this unit. Keep this manual in a safe place for future reference and for ordering replacement parts.
2. Your rotary mower is a precision piece of power equipment, not a plaything. Therefore, exercise extreme caution at all times.
3. Read this Owner's Manual carefully. Be thoroughly familiar with the controls and the proper use of the equipment.
4. Never allow children to operate a power mower. Only persons well acquainted with these rules of safe operation should be allowed to use your mower.
5. Keep the area of operation clear of all persons, particularly small children and pets. Stop engine when they are in the vicinity of your mower. Although the area of operation should be completely cleared of foreign objects, a small object may have been overlooked and could be accidentally thrown by the mower in any direction and cause injury.

### PREPARATION

1. Thoroughly inspect the area where the equipment is to be used. Remove all stones, sticks, wire, bones and other foreign objects which could be picked up and thrown by the mower in any direction and cause injury.
2. Do not operate equipment when barefoot or wearing open sandals. Always wear substantial footwear.
3. Do not wear loose fitting clothing that could get caught on the mower.
4. Check the fuel before starting the engine. Gasoline is an extremely flammable fuel. Do not fill the gasoline tank indoors, while the engine is running, or while the engine is still hot. Wipe off any spilled gasoline before starting the engine as it may cause a fire or explosion.
5. Disengage the self-propelled mechanism or drive clutch on units so equipped before starting the engine.
6. Never attempt to make a wheel or cutting height adjustment while the engine is running.
7. Mow only in daylight or in good artificial light.
8. Never operate the equipment in wet grass. Always be sure of your footing. Keep a firm hold on the handle and walk, never run.

### OPERATION

1. Do not change the engine governor settings or overspeed the engine. Excessive engine speeds are dangerous.
2. Do not put hands or feet near or under rotating parts. Keep clear of the discharge opening at all times as the rotating blade can cause injury.
3. Stop the blade when crossing gravel drives, walks or roads.
4. After striking a foreign object, stop the

engine, remove the wire from the spark plug, and thoroughly inspect the mower for any damage. Repair the damage before restarting and operating the mower.

5. If the equipment should start to vibrate abnormally, stop the engine and check immediately for the cause. Vibration is generally a warning of trouble.
6. Stop the engine whenever you leave the mower, before cleaning the mower housing, and when making any repairs or inspections.
7. When cleaning, repairing or inspecting, make certain the blade and all moving parts have stopped. Disconnect the spark plug wire, and keep the wire away from the plug to prevent accidental starting.
8. Before attempting to unclog the mower or discharge chute, stop the engine and be sure the blade has stopped completely. The cutting blade continues to rotate for a few seconds after the engine is shut off. Never place any part of the body in the blade area until you are sure the blade has stopped rotating. Disconnect the spark plug wire and keep the wire away from the plug to prevent accidental starting.
9. Do not run the engine indoors.
10. Shut the engine off and wait until the blade comes to a complete stop before removing the grass catcher or unclogging chute.
11. Mow across the face of slopes, never up-and-down. Exercise extreme caution when changing direction on slopes. Do not mow excessively steep slopes.
12. Always disconnect electric mowers (line operated) before cleaning, repairing or adjusting.
13. Never operate mower without proper guards, plates or other safety protective devices in place.
14. Keep washout ports and other mower-housing service openings closed when mowing.
15. **DO NOT OPERATE** this mower with the chute doors open, unless the complete grass catcher is properly mounted on the mower.

### MAINTENANCE AND STORAGE

1. Check the blade and engine mounting bolts at frequent intervals for proper tightness.
2. Keep all nuts, bolts, and screws tight to be sure the equipment is in safe working condition.
3. Never store the equipment with gasoline in the tank inside of a building where fumes may reach an open flame or spark. Allow the engine to cool before storing in any enclosure.
4. To reduce fire hazard, keep the engine free of grass, leaves, or excessive grease.
5. Check the grass catcher bag frequently for wear or deterioration. For safety protection, replace only with new bag meeting original equipment specifications.

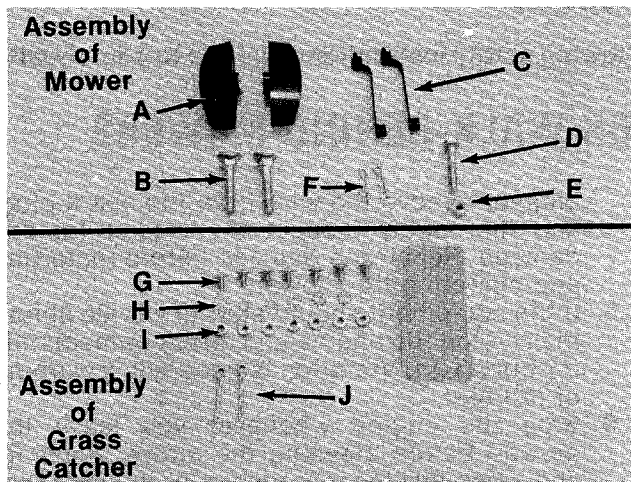


FIGURE 1.

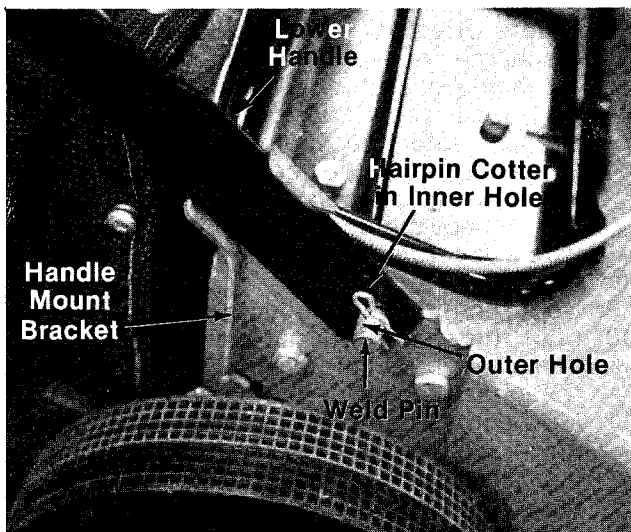


FIGURE 2.

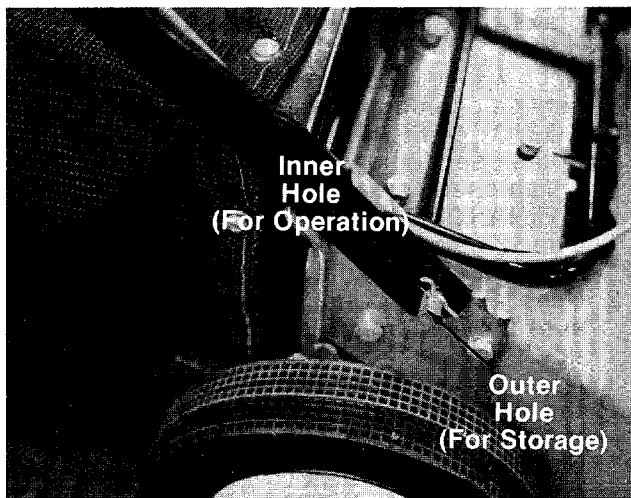


FIGURE 3.

## ASSEMBLY INSTRUCTIONS

### Contents of Hardware Pack

- A (2) Hand Knobs
- ← B (2) Curved Carriage Bolts 5/16-18 x 1.75" Long
- C (2) Cable Ties
- D (1) Hex Screw 1/4-20 x 1.50" Long
- E (1) Hex Center Lock Nut 1/4-20 Thd.
- F (2) Hairpin Cotter
- G (7) Truss Head Bolts 3/8" Long
- ← H (7) External Lock Washers
- I (7) Hex Nuts #10-24 Thread
- J (2) Cotter Pins

### NOTE

This unit is shipped WITHOUT GASOLINE or OIL. After assembly, see operating section of this manual for proper fuel and engine oil recommendations.

1. Remove the lawn mower, loose parts, hardware pack and literature from the carton. Make certain all parts and literature have been removed before the carton is discarded.
2. Extend the throttle control which is attached to the mower and place on the floor. Be careful not to bend or kink control wire.
- ← 3. Place lower handle in position over weld pins in handle mount brackets on deck. Secure by placing two hairpin cotters (F) in inner hole on weld pins. See figure 2.

### NOTE

It may be necessary to bend the ends of the lower handle inward slightly to assure a snug fit against the bracket mounting area.

### NOTE

- ← There are two (2) holes in the handle mount brackets. Place hairpin cotter in the inner hole for operation. The outer hole is for storage. See figure 3.

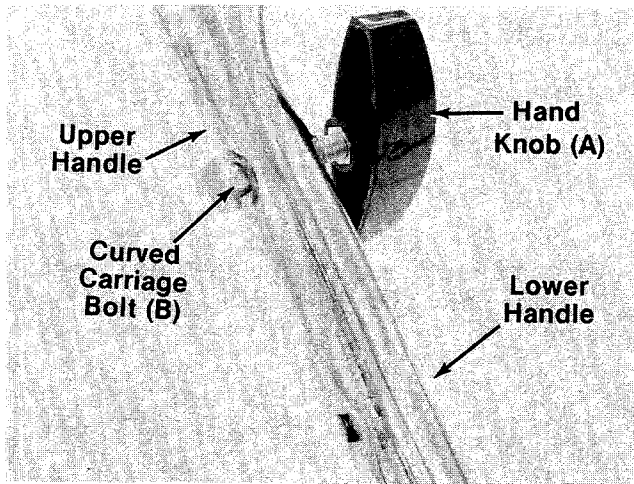


FIGURE 4.

- Place upper handle in position over lower handle. Secure with two carriage bolts (B) and hand knobs (A) as shown in figure 4. The knobs can be either to the inside or outside of the handle.



There are two height positions for the handle. See adjustment section.

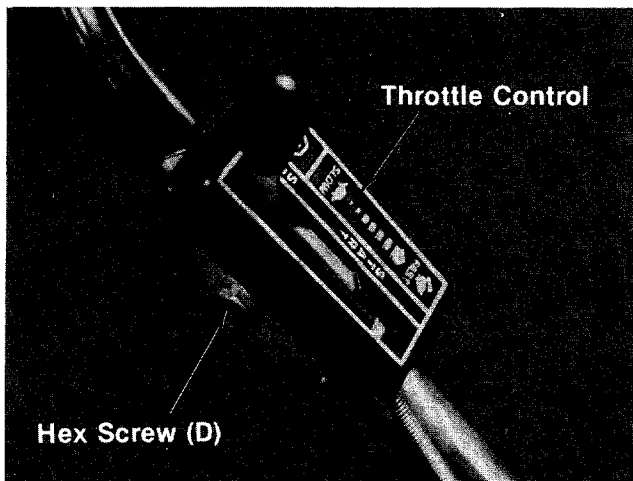


FIGURE 5.

- Place the throttle control in position on the **right** hand side of upper handle. Secure with hex screw (B) and hex lock nut (E) provided. See figure 5.



Reference to left or right side of machine is from operator's position at the handle facing forward.

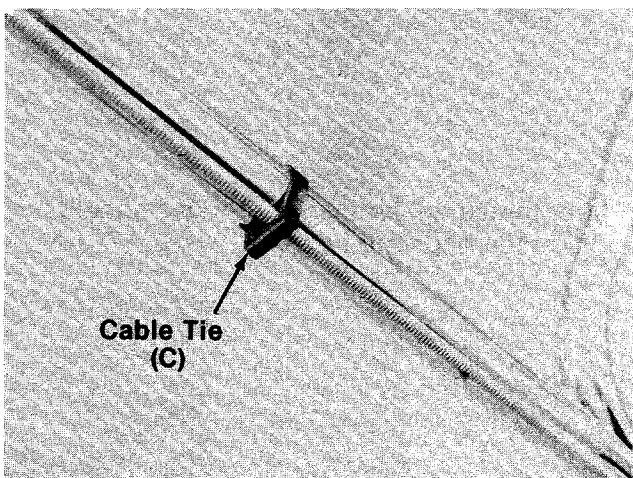
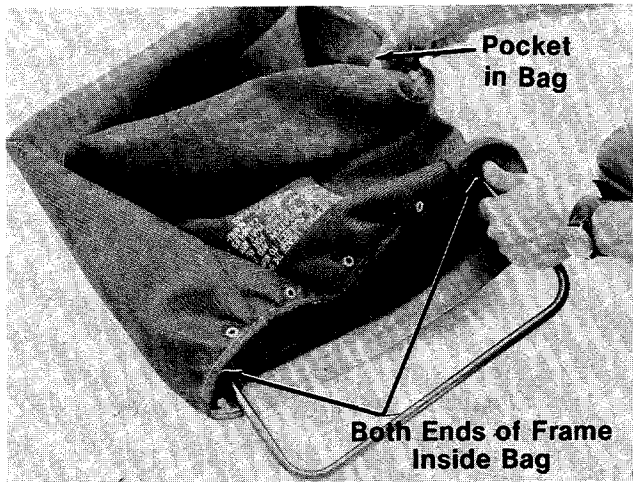


FIGURE 6.

- Secure throttle control cable to handle with cable ties (C) provided. See figure 6.

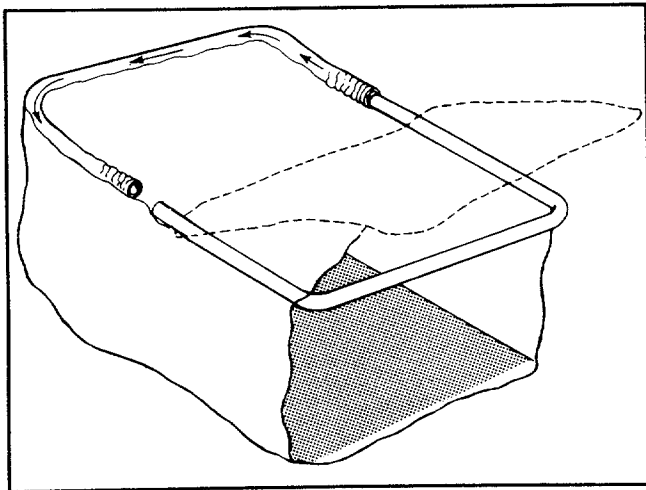
- Check **all** nuts and bolts for correct tightness.

## ASSEMBLY Grass Catcher



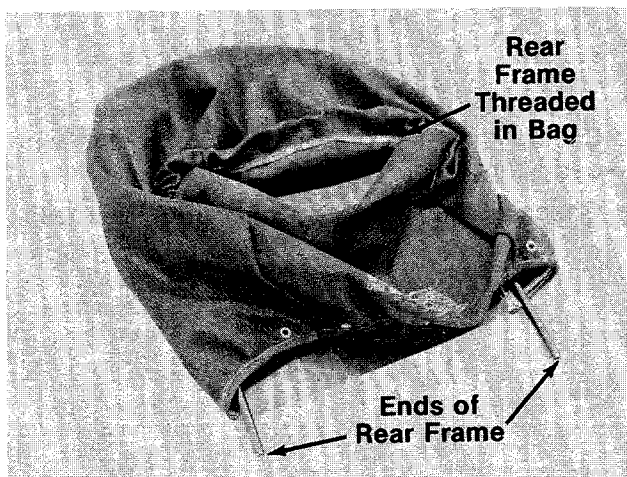
1. Attach bag to rear frame by inserting one end of frame into pocket from inside bag. See figure 7.

FIGURE 7.



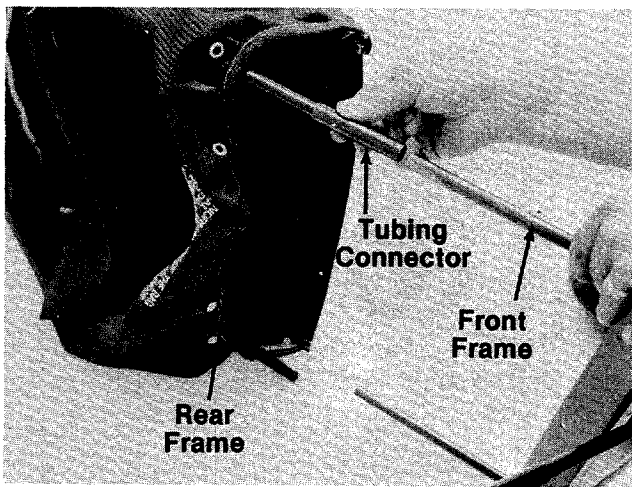
2. Thread all material on one side of frame before working it around the frame. See figure 8.

FIGURE 8.



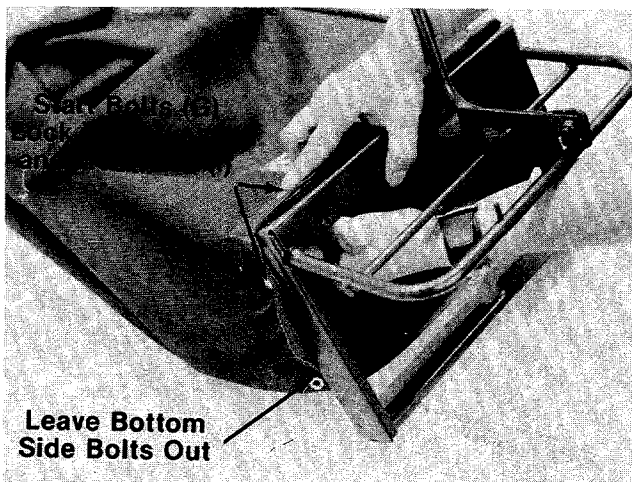
3. After threading, both ends of frame should be inside the bag. See figure 9.

FIGURE 9.



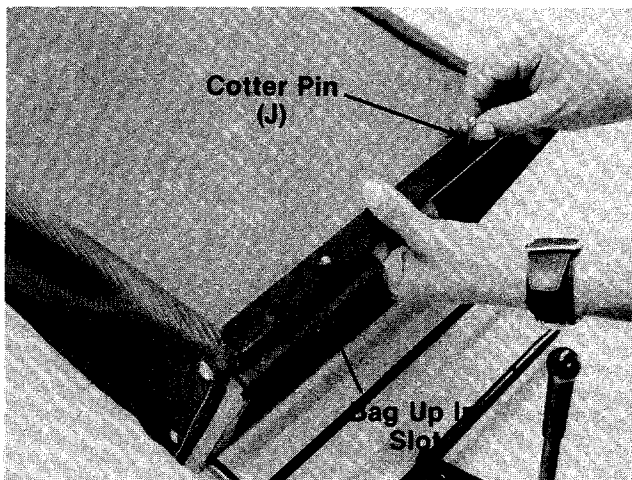
4. Join the front and rear frames by pushing the ends of the rear frame into the ends of the tubing connectors. See figure 10.

FIGURE 10.



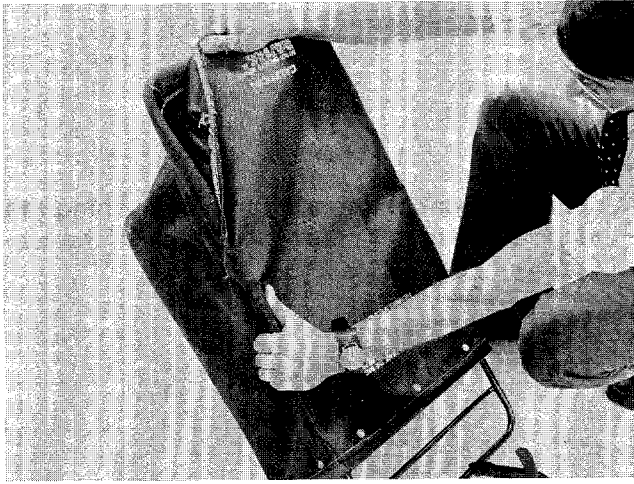
5. Pull bag up and fasten edges (with eyelets) to front frame with 3/8" bolts (G), lock washers (H) and hex nuts (I). Finger tighten. See figure 11. Hint: For easier assembly **Do Not** fasten lower bolts on sides until after step 5.

FIGURE 11.



6. Stand bag on end with open end up. Pull bottom of bag forward into slot. Align holes and slip cotter pins (J) into holes. Spread ends of pins to secure bag to frame. See figure 12. Tighten all nuts and bolts securely with screwdriver.

FIGURE 12.



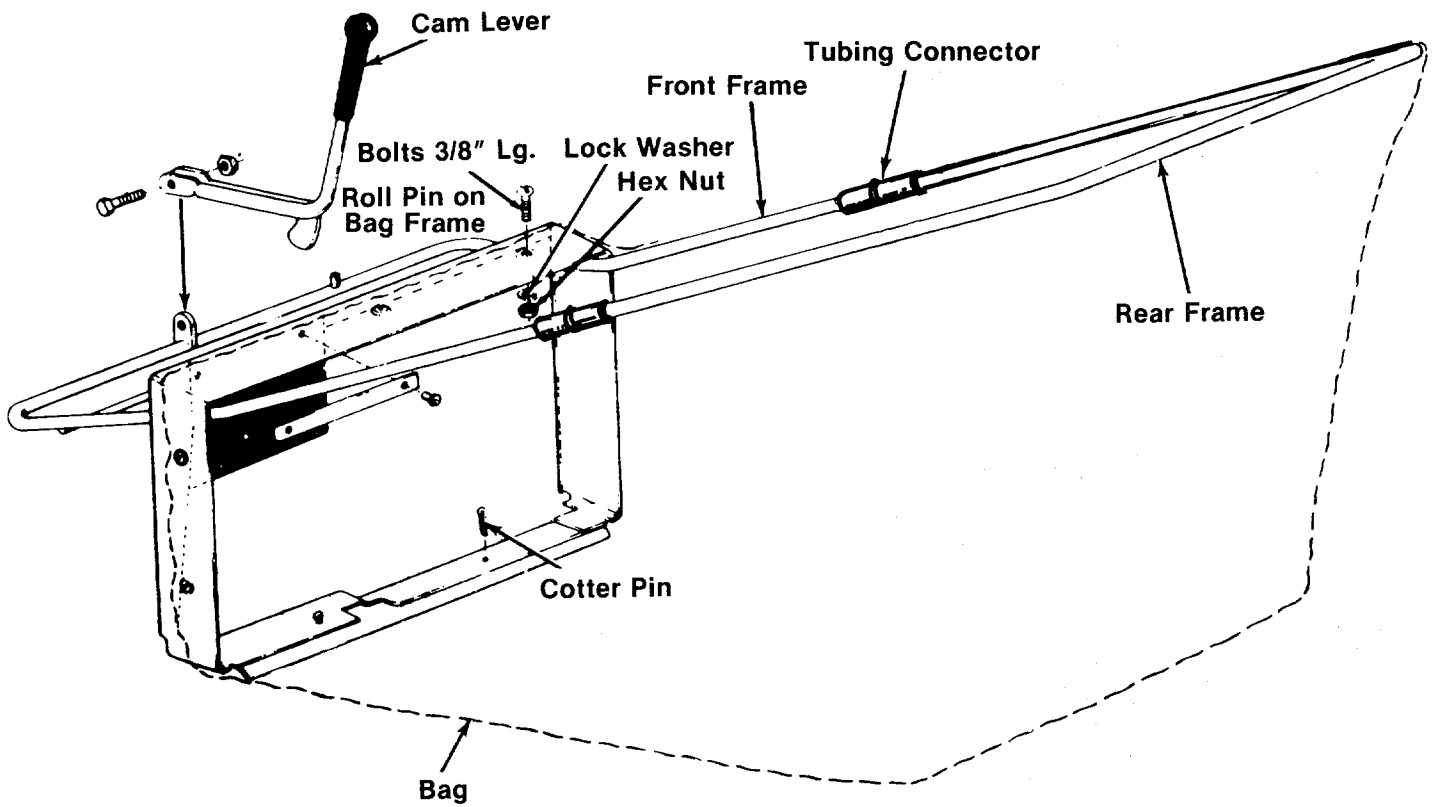
7. Close top of bag by stretching loose material over the end of the frame. See figure 13.



**WARNING**

Never operate the mower with the bag open.

FIGURE 13.





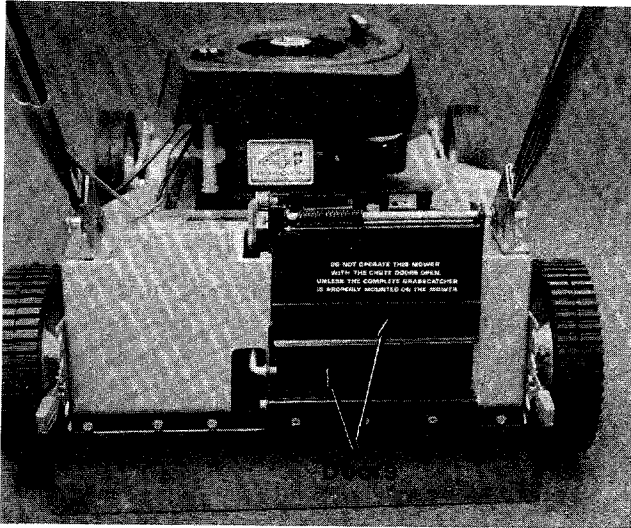


FIGURE 14.

## TO ATTACH BAG TO MOWER

The doors shown in figure 14 cannot be opened to discharge the grass unless the grass catcher is in place.



**WARNING**

Under no circumstances should the doors be opened while the engine is operating unless the grass catcher is securely in place.

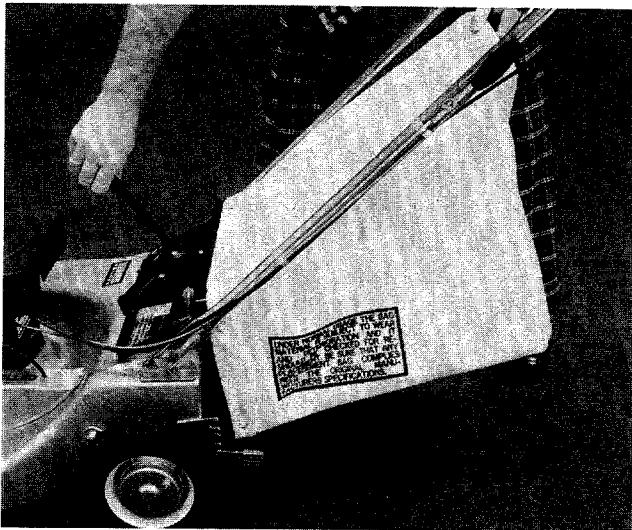
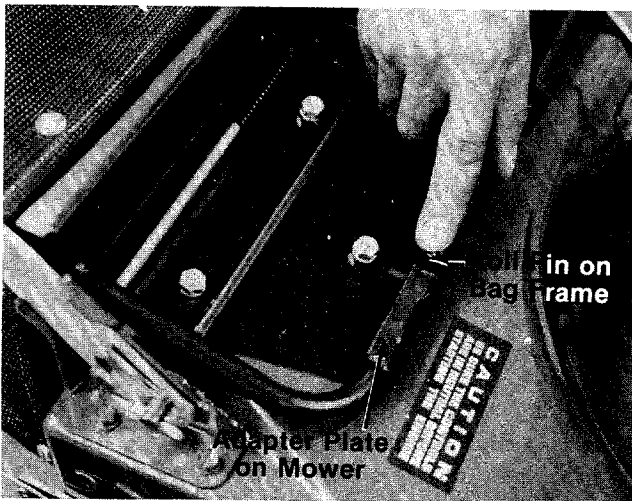


FIGURE 15.

1. Attach the grass catcher frame to the front of the adapter as shown in figure 15.



- Tilt bag slightly forward and slide roll pin on bag frame into slot on mower. See figure 16. Push down on bag to position on mower.

FIGURE 16.

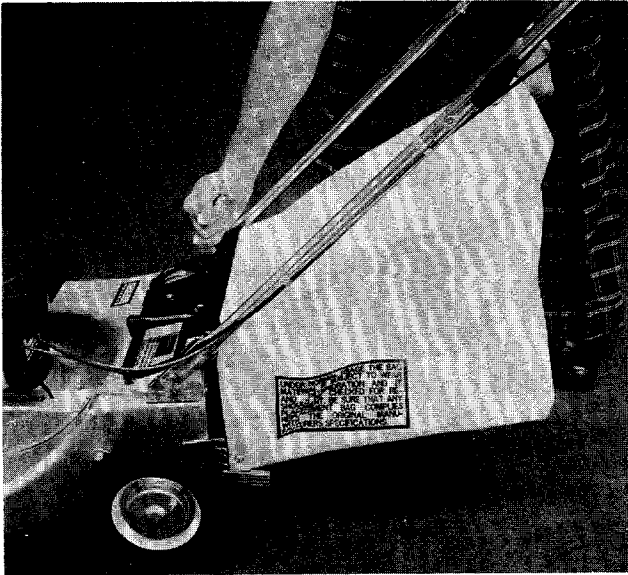


FIGURE 17.

2. Pull cam lever back and down to lock grass catcher on mower. This automatically opens rear discharge doors on mower. ←
- To remove the grass catcher, unlock the cam lever and lift off the grass catcher.

## OPERATION

**DO NOT OPERATE THIS MOWER WITH THE CHUTE DOORS OPEN, UNLESS THE COMPLETE GRASSCATCHER IS PROPERLY MOUNTED ON THE MOWER.**



FIGURE 18.

Keep hands and feet away from the chute area on cutting deck. See figure 18.

## NOTE

For shipping purposes your mower is set with the wheels in a low cutting height position. For best results raise the cutting position until it is determined which height is best for your lawn. See adjustment section.

1. FILL SUMP WITH OIL, using a high quality detergent oil classified "For Service SC, SD, SE or MS." Nothing should be added to the recommended oil.

Use SAE 30 oil. If not available, use SAE 10W-30 or SAE 10W-40 oil.

Place the engine level. Remove oil dipstick. Fill the oil sump to full mark on dipstick. Pour slowly. Capacity 1¼ pints.

2. FILL FUEL TANK, using clean, fresh, leaded **regular** grade automotive gasoline. Fill tank completely!

**DO NOT MIX OIL WITH GASOLINE.**

3. When ready to start engine, place throttle control lever on handle in "START" position and start engine in accordance with instructions in engine manual. After engine starts, move throttle control lever on handle to desired

engine speed. The engine is stopped by placing control lever on handle in the "STOP" position.

4. Be sure that lawn is clear of stones, sticks, wire, or other objects which could damage lawn mower or engine. For best results and to insure more even grass distribution, do not mow when lawn is excessively wet.

**➔ IMPORTANT**

After striking a foreign object, stop the engine. Remove wire from spark plug, thoroughly inspect the mower for any damage, and repair the damage before restarting and operating the mower.



Unless the entire grass catcher is correctly positioned on the mower, do not open the discharge chute doors when the engine is running.

**➔ NOTE**

Periodically check the cam lever on grass catcher for correct alignment on roller. The cam lever **MUST** hit on center of roller to lock the grass catcher in position and open the doors all the way open.

## ADJUSTMENTS



Do not at any time make any adjustment to lawn mower without first stopping engine and disconnecting spark plug wire.

### CUTTING HEIGHT

An adjusting plate and thumb lever at each wheel position provides cutting height adjustment. Each adjusting plate has five holes. Height of cut will be changed when the thumb lever is moved from one hole to another. Simply depress thumb lever towards wheel and move wheel and lever assembly to desired position. All wheels must be placed in the same relative position.

### HANDLE POSITION

The upper handle can be adjusted to a high or low position. The operator of the lawn mower can easi-

ly adjust the handle position by unscrewing the two knobs, removing the two bolts and reassembling in the other position. No tools are necessary to make this adjustment. See figure 19.

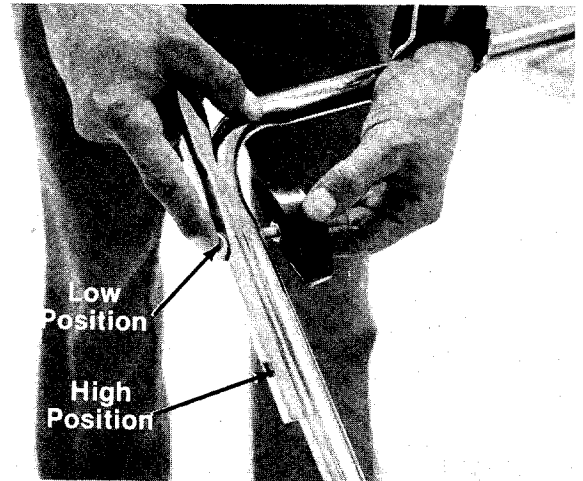


FIGURE 19.

### THROTTLE

If adjustment becomes necessary, the throttle control wire assembly can be reset as follows:

1. Loosen, but do not remove, screw securing throttle control wire assembly at engine. See figure 20.

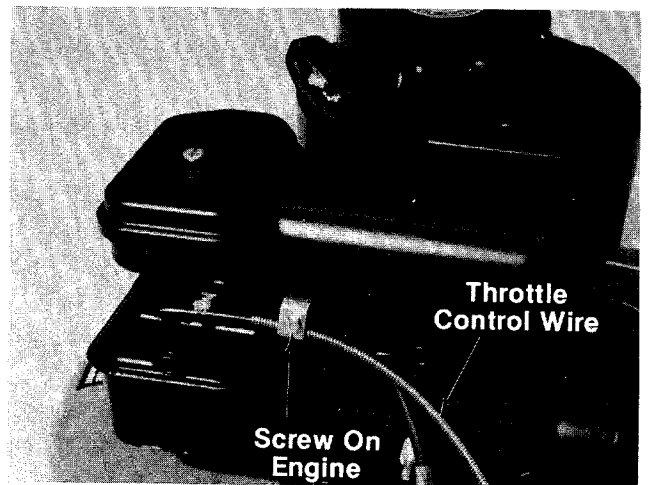


FIGURE 20.

2. Move throttle control lever on handle to "FAST" position.
3. Move lever, to which control wire is fastened at engine, to full open position and retighten screw to secure throttle control wire assembly.



**WARNING**

If any adjustments are made to the engine while the engine is running (e.g. carburetor), disengage all clutches and blades. Keep clear of all moving parts. Be careful of heated surfaces and muffler.

## CARBURETOR ADJUSTMENTS (See figure 21)

Minor carburetor adjustment may be required to compensate for differences in fuel, temperature, altitude and load.

All carburetor adjustments should be made with the air cleaner on engine. Air cleaner mounting screw must be in carburetor when engine is run. Best adjustment is made with a fuel tank half full of gasoline.

### To Adjust Carburetor:

1. Start engine and run long enough to warm it to operating temperature. If engine is out of adjustment so that it will not start, close the needle valve by turning it clockwise. Then open needle valve 1½ turns counterclockwise.
2. Move engine control to run engine at normal operating speed.
  - a. Turn needle valve in clockwise until engine starts to lose speed (lean mixture).
  - b. Then slowly turn needle valve out counterclockwise past the point of smoothest operation until engine just begins to run unevenly (rich mixture).
  - c. Turn needle valve back in clockwise very slowly till engine runs evenly.
  - d. Final adjustment of the needle valve should be slightly to the rich side (turn counterclockwise) of the mid-point.
3. Move engine control to "SLOW." Turn idle adjusting screw until a fast idle is obtained—(1750 R.P.M.).
4. To check adjustment, move engine control from "SLOW" to "FAST" speed. Engine should accelerate smoothly. If engine tends to stall or die out increase idle speed or re-adjust carburetor, usually to a slightly richer mixture.

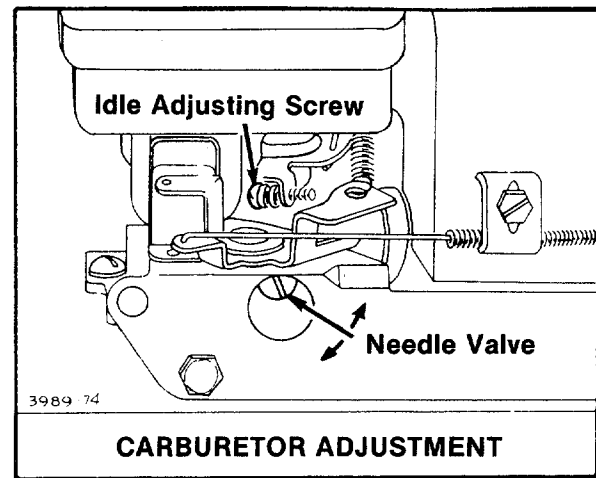


FIGURE 21.

## LUBRICATION



**IMPORTANT**

Always stop engine and disconnect spark plug wire before cleaning, lubricating or doing any kind of work on lawn mower.

**Discharge Chute Door Mechanism**—The torsion spring and pivot point should be lubricated periodically with light oil to prevent any rust or binding. Doors must work freely.

**Wheels**—Mower is provided with ball bearing wheels. Lubricate at least once a season with light oil. Also, if the wheels are removed for any reason, lubricate the surface of the axle bolt and the inner surface of the wheel with light oil. A 4 oz. plastic bottle of light oil lubricant is available. Order part number 737-0170. Engine oil may also be used.

**Engine**—Follow engine manual for lubrication instructions.

**Throttle**—Periodically lubricate throttle control lever and throttle wire assembly with a few drops of light oil for ease of operation.

## MAINTENANCE

### CUTTING BLADE

#### A. Removal for Sharpening or Replacement



**WARNING**

Be sure to disconnect and ground the spark plug wire before working on the cutting blade to prevent accidental engine starting.

1. Remove the large bolt and lock washer which holds the blade and adapter to the engine crankshaft.
2. Remove the blade and adapter from the crankshaft. Be careful not to lose the key on the crankshaft.
3. If the blade or blade adapter needs replacing, remove the two small bolts, lock washers and nuts which hold the blade to the adapter.

## B. Sharpening

Remove the cutting blade by following the directions of the preceding section.

When sharpening the blade, follow the original angle of grind as a guide. It is **extremely important** that each cutting edge receives an equal amount of grinding to prevent an unbalanced blade. An unbalanced blade will cause excessive vibration when rotating at high speeds and may cause damage to the mower.

The blade can be tested for balance by balancing it on a round shaft screwdriver. Remove metal from the heavy side until it balances evenly.



### NOTE

It is recommended that the blade always be removed from the adapter for the best test of balance.

## C. Reassembly

Before reassembling the blade and the blade adapter to the unit, lubricate the engine crankshaft and the inner surface of the blade adapter with light oil. Lubricating the bolt holes, bolts and inner surface of the nuts with light oil is also recommended. A 4 oz. plastic bottle of light oil lubricant is available. Order part number 737-0170. Engine oil may also be used.

When replacing the blade, be sure to install the blade with the side of the blade marked "Bottom" (or with part number) facing the ground when the mower is in the operating position. Make certain key is in place on the crankshaft.

### Blade Mounting Torque

3/8" Dia. Bolt 375 in. lb. min., 450 in. lb. max.

5/16" Dia. Bolt 150 in. lb. min., 250 in. lb. max.

To insure safe operation of your unit, **ALL** nuts and bolts must be checked periodically for correct tightness.

## DECK

The underside of mower deck should be cleaned after each period of use as grass clippings, leaves,

dirt and other matter will accumulate. This accumulation of grass clippings, etc., is undesirable as it will invite rust and corrosion and may cause an uneven discharge of grass clippings at the next cutting.

The deck may be cleaned by tilting the mower forward or on its side and scraping clean with a suitable tool or by washing with a stream of water from a garden hose.



### CAUTION

Do not direct the stream of water at a hot engine as damage to the engine may result.

## ENGINE OIL

**CHECK OIL LEVEL** before starting engine and after every 5 hours of operation.

**ADD** oil as necessary to keep level to full mark on dipstick.

Before removing dipstick, clean area around dipstick to prevent dirt from entering oil fill tube. Engine should be in a level position when checking oil.

**CHANGE OIL** after first 5 hours of operation. Thereafter change every 25 hours. Change oil while engine is warm. Oil may be drained thru oil fill tube by tipping the unit on its side. Oil capacity 1-1/4 pints.

## AIR CLEANER

**CLEAN AIR CLEANER** and re-oil element every 25 hours under normal conditions. Clean every few hours under extremely dusty conditions. Poor engine performance and flooding usually indicates that the air cleaner should be serviced. See figure 22.

1. Remove screw.
2. Remove air cleaner carefully to prevent dirt from entering carburetor.
3. Take air cleaner apart and clean.
  - a. **WASH** foam element in kerosene or a liquid detergent and water to remove dirt.
  - b. **DRY** foam completely by wrapping and squeezing in a cloth.
  - c. **SOAK** foam with engine oil. Squeeze to distribute and remove excess oil.
4. Reassemble parts and fasten to carburetor.

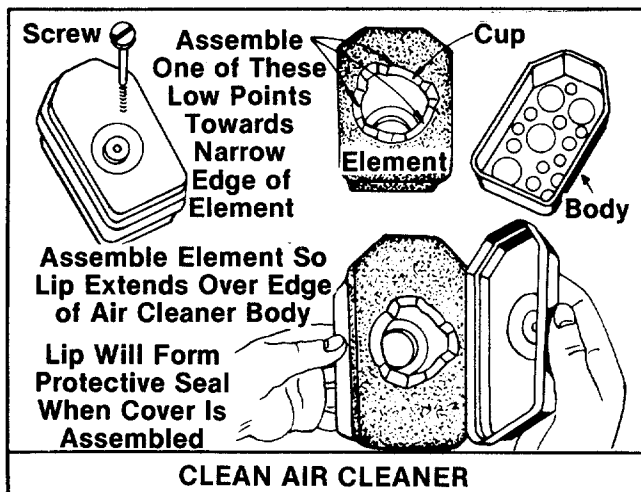


FIGURE 22.

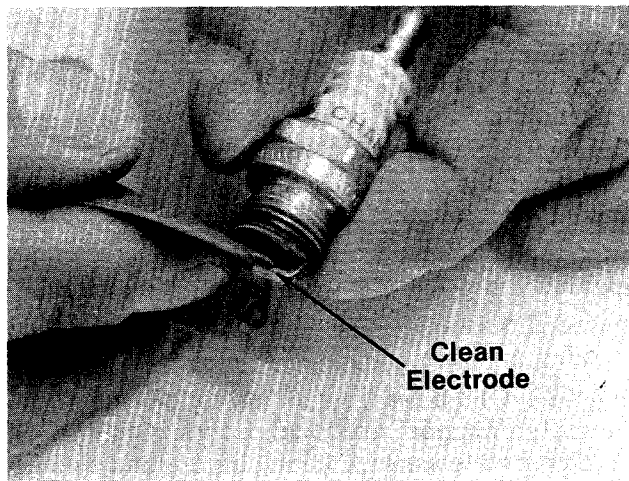


FIGURE 23.

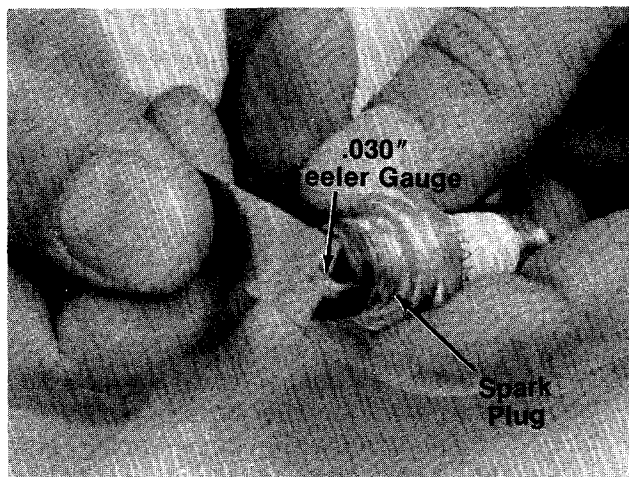


FIGURE 24.

## SPARK PLUG

The spark plug should be cleaned (see figure 23) and the gap reset to a 0.030-inch clearance once a season (see figure 24). Spark plug replacement is recommended at the start of each mowing season; check engine manual for correct plug type.



Whenever the spark plug is removed for cleaning, it is advisable to replace the spark plug gasket with a new gasket.

## USING YOUR ROTARY MOWER

For the best results, do not cut wet grass because it tends to stick to the underside of the mower, thus preventing proper discharge of grass clippings. If wet grass must be cut, reduce walking speed.

New grass should be treated as wet grass. Otherwise, a normal walking speed is about the right pace for efficient mowing.

Lawn should be cut in the fall as long as there is growth.

## OFF-SEASON STORAGE

If the machine is to be inoperative for a period longer than 30 days, the following procedures are recommended:

1. Working outdoors, drain all fuel from the fuel tank. Use a clean dry cloth to absorb the small amount of fuel remaining in the tank. Then run the engine until all fuel in the carburetor is exhausted.



Do not drain fuel while smoking, or if near an open fire.

2. Drain all the oil from the crankcase (this should be done after the engine has been operated and is still warm). Refill the crankcase with clean new oil.

3. Disconnect the spark plug wire and remove the spark plug from the cylinder. Pour about 2 or 3 tablespoons of engine oil into the cylinder. Turn the engine over several times to spread out the oil. Replace the spark plug, but do not connect the wire.
4. Clean the engine and the entire mower thoroughly.
5. Lubricate all lubrication points.

## HANDLE STORAGE

The handle can be stored in an upright position to take less space. Move hairpin cotters to outer hole on weld pins (see figure 3). Grasp the lower handle at the bottom and pull apart slightly. Tip the handle forward. It will lock in this position. Reverse this procedure to place the handle in the operating position.

This model may also be folded away completely for storage.

1. Remove hairpin cotters from inner hole on weld pins on handle mount brackets. Place in outer hole.
2. Loosen the two hand knobs on the inside of the handle.
3. Push outward on the bottom of each side of the lower handle, and push forward.
4. Fold the upper handle back and down.

To take the handle out of storage position, proceed as follows.

1. Lift the upper handle up and towards the rear.
2. Pull the handle back until it locks into the operator's position.
3. Tighten the two hand knobs securely.
4. Move the hairpin cotters to the inner hole on the weld pins.



### NOTE

The use of any accessory on this Rotary Mower other than those manufactured by the mower manufacturer is **not** recommended.



DO NOT operate the mower with the chute doors open unless the complete grass catcher is properly mounted on the mower.



The mower shall not be operated without the protective shield on the rear of the mower in place.



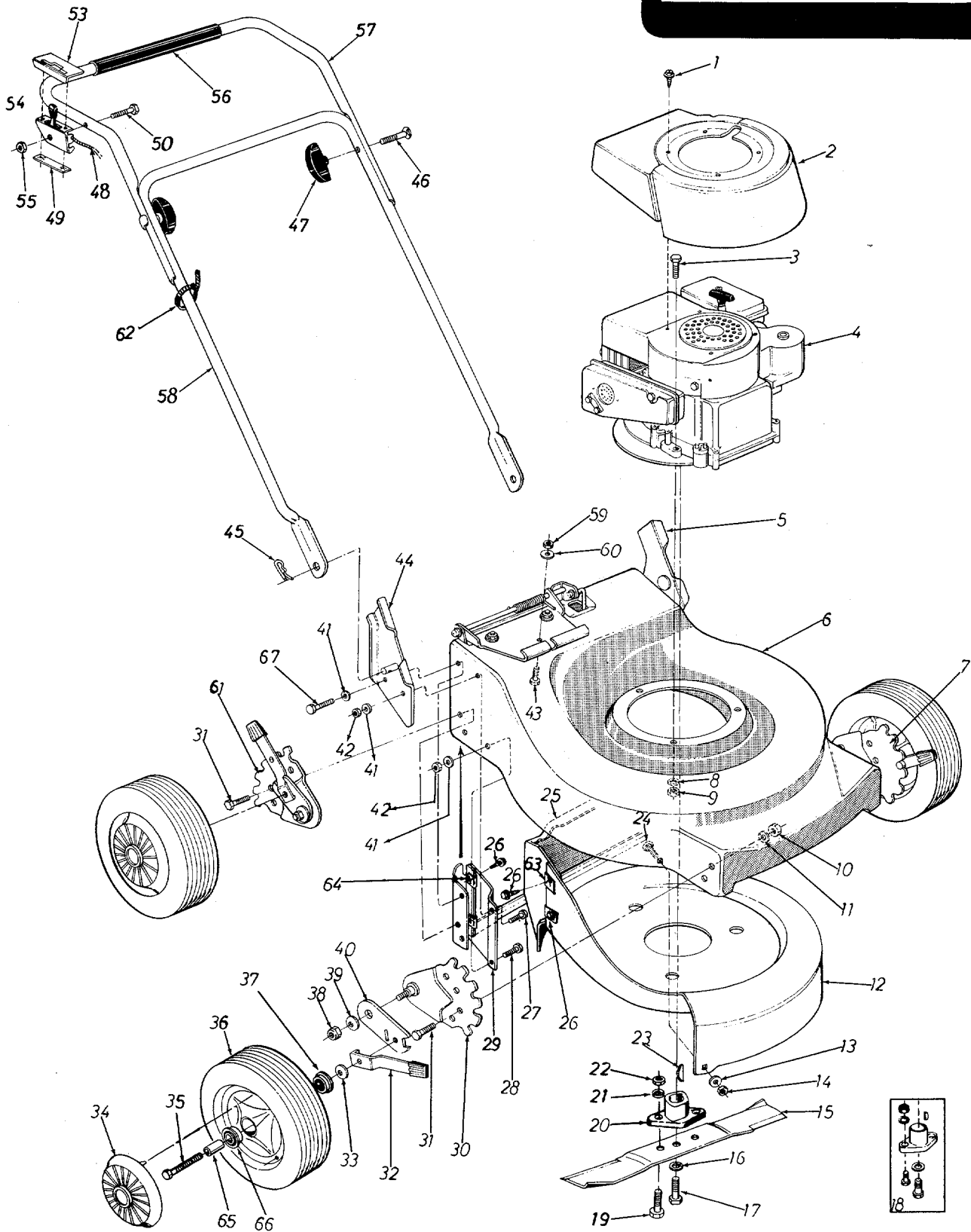
### NOTE

Under normal usage bag material is subject to wear and should be checked periodically. Be sure any replacement bag complies with the mower manufacturer's recommendations.

For replacement bags, use only factory authorized replacement bag No. 764-0153.

# 111-330A

IF YOU WRITE TO US ABOUT THIS ARTICLE  
OR IF YOU ORDER REPLACEMENT PARTS AL-  
WAYS MENTION THIS MODEL & SERIAL NO  
MODEL





# 111-330A

## PARTS LIST FOR MODEL 111-330A

REF. NO.	PART NO.	COLOR CODE	DESCRIPTION	NEW PART	REF. NO.	PART NO.	COLOR CODE	DESCRIPTION	NEW PART
1	710-0227		Slot Hex Wash. Hd. Extr. Scr. #8 x .38 Lg.		33	736-0105		Belleville Washer	
2	731-0276		Shroud		34	731-0124		Hub Cap	
3	710-0158		Hex Bolt 5/16-24 x 1.25" Lg.*		35	710-0427		Hex Bolt 3/8-16 x 2.00" Lg.	
4	—		Engine		36	734-0845		Wheel Ass'y. Comp.	
5	12297		Handle Brkt. Ass'y.—L.H.		37	741-0484		Ball Bearing	
6	12191	-462	Rear Discharge Deck		38	712-0375		Hex Cent. L-Nut 3/8-16 Thd.	
7	12321		Height Adjuster Ass'y.—L.H.		39	736-0255		Belleville Washer	
8	736-0119		L-Wash. 5/16" I.D.*		40	10619		Pivot Bar	
9	712-0123		Hex Nut 5/16-24 Thd.*		41	736-0329		L-Wash. 1/4" I.D.*	
10	712-0798		Hex Nut 3/8-16 Thd.		42	712-0287		Hex Nut 1/4-20 Thd.*	
11	736-0169		L-Wash. 3/8" I.D.*		43	710-0167		Carriage Bolt 1/4-20 x .50" Lg.*	
12	12190	-462	Rear Discharge Baffle		44	12296		Handle Brkt. Ass'y.—R.H.	
13	736-0329		L-Wash. 1/4" I.D.*		45	714-0104		Internal Cotter Pin 1/8" Dia.	
14	712-0287		Hex Nut 1/4-20 Thd.*		46	710-0405		Curved Carriage Bolt 5/16-18 x 1.75" Lg.	
15	742-0123		20" Blade		47	09966		Knob—Handle Ass'y.	
16	736-0217		L-Wash. 3/8" I.D.*		48	746-0230		Conduit and Wire	
17	710-0459		Hex Bolt 3/8-24 x 1.50" Lg. H.T.		49	726-0134		Speed Nut #8-32—Twin Type	
18	10769		Blade Adapter Kit		50	710-0606		Hex Bolt 1/4-20 x 1.50" Lg.*	
19	710-0117		Hex Bolt 5/16-24 x 1.00" Lg.		53	731-0344		Plastic Label	
20	10769		Blade Adapter Kit		54	746-0204		Throttle Control Ass'y.—Comp.	
21	736-0119		L-Wash. 5/16" I.D.*		55	712-0107		Hex Cent. L-Nut 1/4-20 Thd.	
22	712-0123		Hex Nut 5/16-24 Thd.*		56	718-0145		Grip	
23	714-0365		#6 Hi-Pro-Key 5/32 x 5/8" Dia.		57	749-0379		Upper Handle	
24	710-0167		Carriage Bolt 1/4-20 x .50" Lg.		58	749-0375		Lower Handle	
25	12176		Rear Deck Section Ass'y.		59	712-0287		Hex Nut 1/4-20 Thd.	
26	710-0589		Hex Wash. Hd. AB-Tapp Scr. #10-Z x .75" Lg.		60	736-0329		L-Wash. 1/4" I.D.*	
27	710-0599		Hex Wash Hd. Self-Tap Scr. 1/4-20 x .50" Lg.		61	12322		Height Adjuster Ass'y.—R.H.	
28	710-0294		Hex Bolt 1/4-20 x .375" Lg.*		62	726-0188		Cable Tie	
29	12302		Side Plate		63	726-0139		Speed Nut "U" Type—10-Z	
30	12323		Index Plate		64	712-0344		Speed Nut "U" Type—10-Z	
31	710-0209		Hex Sems Bolt 3/8-16 x .62" Lg.*		65	750-0434		Spacer	
32	10531		Spring Lever Ass'y. with Knob		66	741-0267		Ball Bearing	
					67	710-0599		Hex Wash. Hd. Self-Tap. Scr. 1/4-20 x .50" Lg.	

\*For faster service, obtain standard nuts, bolts, and washers locally. If these items cannot be obtained locally, order by part number and size as shown on parts list.

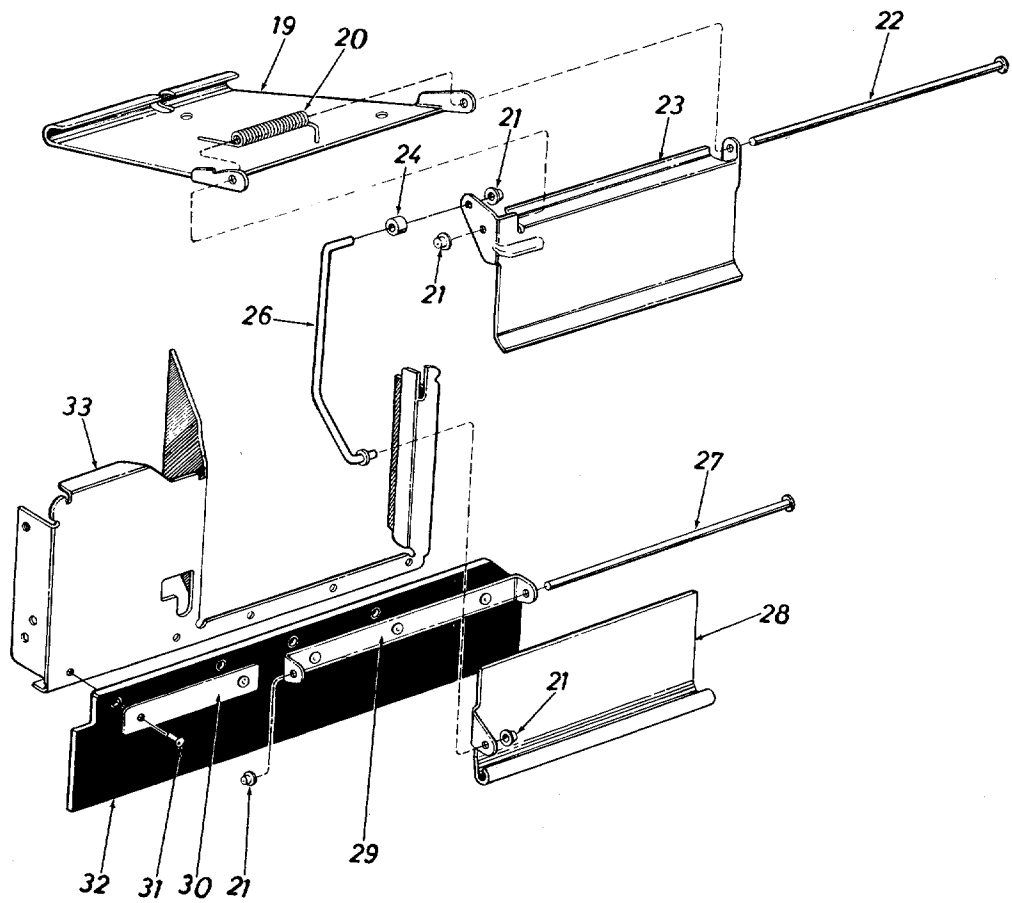
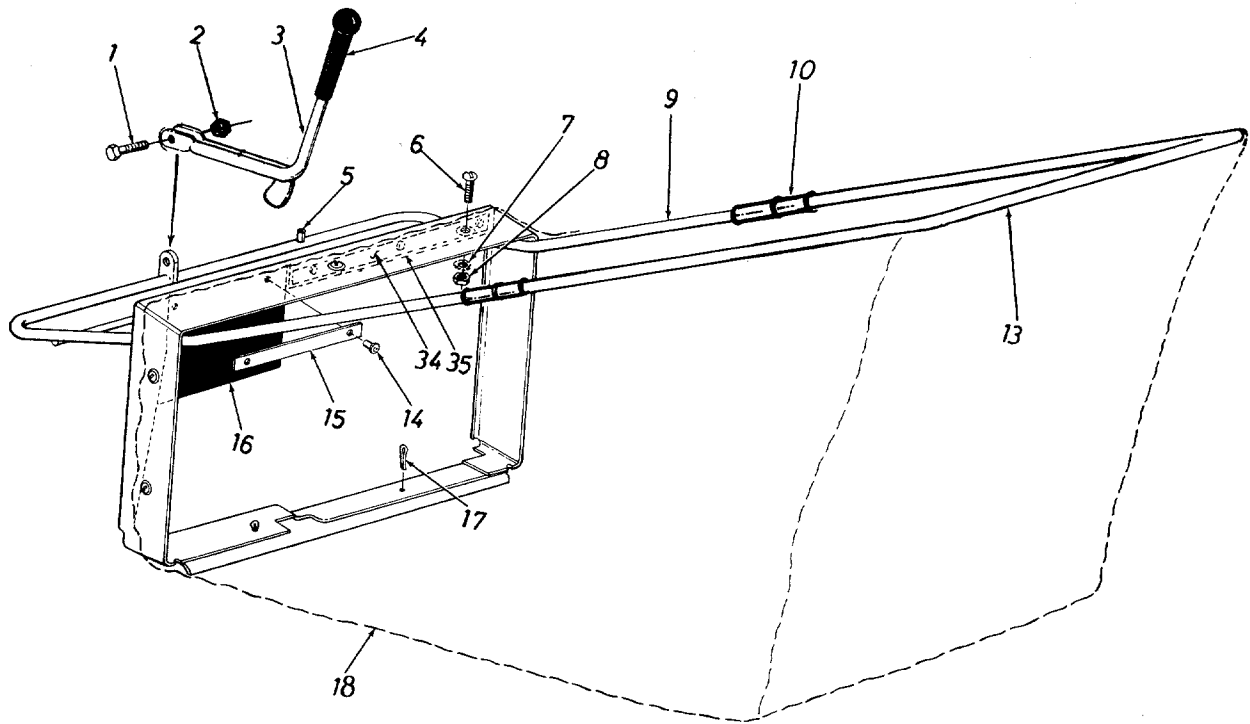
(462—Red Flake) When ordering parts if color or finish is important, use the appropriate color code shown at left. (e.g. Red Flake Finish—12191 (462).)

The engine is not under warranty by the mower manufacturer. If repairs or service is needed on the engine, please contact your nearest authorized engine service outlet. Check the "Yellow Pages" of your telephone book under "Engines — Gasoline."



NOTE  
This instruction manual covers various models and all specifications shown do not necessarily apply to your model. Specifications subject to change without notice or obligation.

# 111-330A



# 111-330A

## PARTS LIST FOR MODEL 111-330A

REF. NO.	PART NO.	COLOR CODE	DESCRIPTION	NEW PART
1	710-0117		Hex Bolt 5/16-24 x 1.00" Lg.*	
2	712-0305		Hex Cent. L-Nut 5/16-24 Thd.	
3	12393		Cam Lever Ass'y.	
4	720-0143		Grip	
5	715-0247		Spring Pin Spiral	
6	710-0192		Truss Mach. Scr. #10-24 x .38" Lg.*	
7	736-0147		Ext. L-Wash. #10 Scr.*	
8	712-0121		Hex Nut #10-24 Thd.*	
9	14131		Catcher Frame Ass'y. Lower Half	
10	750-0473		Tubing Connector	
13	749-0370		Frame—Rear Half	
14	728-0128		Rivet	
15	12185		Reinforcement Bar	
16	735-0168		Grass Catcher Flap	
17	714-0115		Cotter Pin 1/8" Dia. x 1.00" Lg.*	
18	764-0153		Grass Catcher Bag	
19	12192		Grass Catcher Adapter	
20	732-0295		Torsion Spring	
21	726-0135		Push Nut 5/16" Rod	
22	738-0253		Hinge Rod	
23	12395		Chute Door—Upper Half	
24	748-0246		Roller Spacer	
26	747-0141		Connecting Rod	
27	738-0253		Hinge Rod	
28	12194		Chute Door—Lower Half	
29	12195		Hinge Bracket	
30	12185		Reinforcement Bar	
31	728-0131		Rivet .188 x .438	
32	735-0167		Rear Protective Flap	
33	12612		Rear Deck Section Ass'y.	
34	12316		Reinforcement Bar	
35	735-0183		Grass Catcher Flap	

\*For faster service, obtain standard nuts, bolts, and washers locally. If these items cannot be obtained locally, order by part number and size as shown on parts list.

(462—Red Flake) When ordering parts if color or finish is important, use the appropriate color code shown at left. (e.g. Red Flake Finish—12191 (462).)

The engine is not under warranty by the mower manufacturer. If repairs or service is needed on the engine, please contact your nearest authorized engine service outlet. Check the "Yellow Pages" of your telephone book under "Engines — Gasoline."



# PARTS INFORMATION

## POWER EQUIPMENT PARTS AND SERVICE

Parts and service for all MTD manufactured power equipment are available through the authorized service firms listed below. All orders should specify the model number of your unit, part numbers, description of parts and the quantity of each part required.

**NOTE:** If any parts are found to be missing or defective upon assembly of this unit, write to advise the factory so that immediate replacement can be made.

<b>ALABAMA</b>	<b>BIRMINGHAM</b>	
Auto Electric & Carburetor Co. . . . .	2625 4th Ave. S. . . . .	35233
<b>ARKANSAS</b>	<b>FORT SMITH</b>	
Mity Mite Motors, Inc. . . . .	4515 S. 16th St. . . . .	72901
	<b>NORTH LITTLE ROCK</b>	
Sutton's Lawn Mower Shop . . . . .	Rt. 4, Box 368 . . . . .	72117
<b>CALIFORNIA</b>	<b>PORTERVILLE</b>	
Billious . . . . .	75 North D Street . . . . .	93257
	<b>SAN FRANCISCO</b>	
J.W. Jewett Co. . . . .	981 Folsom St. . . . .	94107
<b>COLORADO</b>	<b>DENVER</b>	
Colorado Outdoor Power Equip. . . . .	527 West Evans . . . . .	80223
<b>FLORIDA</b>	<b>JACKSONVILLE</b>	
Radco Distributors . . . . .	4909 Victor St. . . . .	
	Box 5459 . . . . .	32207
	<b>OPA LOCKA</b>	
Small Eng. Dist. . . . .	2351 N.W. 147th St. . . . .	33054
<b>GEORGIA</b>	<b>EAST POINT</b>	
East Point Cycle & Key . . . . .	2834 Church St. . . . .	30344
<b>ILLINOIS</b>	<b>LYONS</b>	
Keen Edge Co. . . . .	8615 Ogden Ave. . . . .	60534
<b>INDIANA</b>	<b>ELKHART</b>	
Parts & Sales Inc. . . . .	2101 Industrial Pkwy. . . . .	46514
<b>IOWA</b>	<b>DUBUQUE</b>	
Power Lawn & Garden Equip. . . . .	2551 J.F. Kennedy . . . . .	52001
<b>LOUISIANA</b>	<b>NEW ORLEANS</b>	
Suhren Engine Co. . . . .	8330 Earhart Blvd. . . . .	70118
<b>MARYLAND</b>	<b>TAKOMA PARK</b>	
Center Supply Co. . . . .	6867 New Hampshire Ave. . . . .	20012
<b>MASSACHUSETTS</b>	<b>SPRINGFIELD</b>	
Morton B. Collins Co. . . . .	300 Birnie Ave. . . . .	01107
<b>MICHIGAN</b>	<b>LANSING</b>	
Lorenz Service Co. . . . .	2500 S. Pennsylvania . . . . .	48910
	<b>MOUNT CLEMENS</b>	
Power Equipment Dist. . . . .	36463 South Gratiot . . . . .	48043
<b>MINNESOTA</b>	<b>HOPKINS</b>	
Hance Distributing Inc. . . . .	420 Excelsior Ave. W. . . . .	55343
<b>MISSISSIPPI</b>	<b>BILOXI</b>	
Biloxi Sales & Service, Inc. . . . .	506 Caillavet St. . . . .	39533
<b>MISSOURI</b>	<b>KANSAS CITY</b>	
Automotive Equip. Service . . . . .	3117 Holmes St. . . . .	64109
	<b>ST. JOSEPH</b>	
Ross-Frazier Supply Co. . . . .	8th and Monterey . . . . .	64503
	<b>ST. LOUIS</b>	
Henzler, Inc. . . . .	2015 Lemay Ferry Road . . . . .	63125
<b>NEW JERSEY</b>	<b>BELLMAWR</b>	
Lawnmower Parts Inc. . . . .	717 Creek Rd. . . . .	08030
	<b>RUTHERFORD</b>	
Feld Distributor . . . . .	28 Glen Rd. . . . .	07070
<b>NEW YORK</b>	<b>CARTHAGE</b>	
Gamble Dist., Inc. . . . .	West End Ave. . . . .	13619

## BRIGGS AND STRATTON, TECUMSEH AND PEERLESS PARTS AND SERVICE

Briggs & Stratton, Tecumseh and Peerless parts and service should be handled by your nearest authorized engine service firm. Check the yellow pages of your telephone directory under the listing **Engines—Gasoline**, Briggs & Stratton or Tecumseh Lauson.

<b>NORTH CAROLINA</b>	<b>GOLDSBORO</b>	
Smith Hardware Co. . . . .	515 N. George St. . . . .	27530
	<b>GREENSBORO</b>	
Dixie Sales Company . . . . .	335 N. Green . . . . .	27402
<b>OHIO</b>	<b>CARROLL</b>	
Stebe's Mid-State Mower Supply . . . . .	Box 366, 71 High St. . . . .	43112
	<b>CLEVELAND</b>	
Bleckrie, Inc. . . . .	7900 Lorain Ave. . . . .	44102
	<b>WADSWORTH</b>	
National Central . . . . .	687 Seville Rd. . . . .	44281
	<b>YOUNGSTOWN</b>	
Burton Supply Co. . . . .	1301 Logan Ave. . . . .	
	Box 929 . . . . .	44501
<b>OKLAHOMA</b>	<b>MUSKOGEE</b>	
Victory Motors, Inc. . . . .	605 S. Cherokee . . . . .	74401
	<b>OKLAHOMA CITY</b>	
Forest Sales Inc. . . . .	6415 N. Olie . . . . .	73116
<b>OREGON</b>	<b>PORTLAND</b>	
Kenton Supply Co. . . . .	8216 N. Denver Ave. . . . .	97217
<b>PENNSYLVANIA</b>	<b>CHESTER</b>	
Stull Equipment Corp. . . . .	742 W. Front St. . . . .	19013
	<b>HARRISBURG</b>	
EECO Inc. . . . .	4021 N. 6th St. . . . .	17110
	<b>PHILADELPHIA</b>	
Thompson Rubber Co. . . . .	5222-24 N. Fifth St. . . . .	191
	<b>PITTSBURGH</b>	
Bluemont Co. . . . .	11125 Frankstown Rd. . . . .	15235
	<b>PUNXSUTAWNEY</b>	
Frank Roberts & Sons . . . . .	R.D. 2 . . . . .	15767
<b>TENNESSEE</b>	<b>KNOXVILLE</b>	
Master Repair Service . . . . .	2000 Western Ave. . . . .	37921
	<b>MEMPHIS</b>	
American Sales & Service, Inc. . . . .	1922 Lynnbrook . . . . .	38116
<b>TEXAS</b>	<b>DALLAS</b>	
Marr Brothers, Inc. . . . .	423 E. Jefferson . . . . .	75203
	<b>FORT WORTH</b>	
Woodson Sales Corp. . . . .	1702 N. Sylvania . . . . .	76111
	<b>HOUSTON</b>	
Bullard Supply Co. . . . .	2409 Commerce St. . . . .	77003
	<b>SAN ANTONIO</b>	
Catto & Putty, Inc. . . . .	414 Live Oak . . . . .	78298
<b>UTAH</b>	<b>SALT LAKE CITY</b>	
A-1 Engine & Mower Co. . . . .	437 E. 9th St. . . . .	84111
<b>VERMONT</b>	<b>BURLINGTON</b>	
Vermont Hdwe. Co. Inc. . . . .	180 Flynn Ave. . . . .	05401
<b>VIRGINIA</b>	<b>RICHMOND</b>	
RBI Corp. . . . .	963 Myers St. . . . .	23260
<b>WASHINGTON</b>	<b>SEATTLE</b>	
Bailey's Inc. . . . .	1414 14th Ave. . . . .	98102
<b>WEST VIRGINIA</b>	<b>CHARLESTON</b>	
Young's, Inc. . . . .	233 Virginia St., E. . . . .	25301
<b>WISCONSIN</b>	<b>MARSHFIELD</b>	
Power Pac . . . . .	301 E. 29th St. . . . .	54449

## WARRANTY PARTS AND SERVICE POLICY

The purpose of warranty is to protect the customer from defects in workmanship and materials, defects which are NOT detected at the time of manufacture. It does not provide for the unlimited and unrestricted replacement of parts. Use and maintenance are the responsibility of the customer. The manufacturer cannot assume responsibility for conditions over which it has no control. Simply put, if it's the manufacturer's fault, it's the manufacturer's responsibility; if it's the customer's fault, it's the customer's responsibility.

### CLAIMS AGAINST THE MANUFACTURER'S WARRANTY INCLUDES:

1. Replacement of Missing Parts on new equipment.
2. Replacement of Defective Parts within the warranty period.
3. Repair of Defects within the warranty period.

All claims MUST be substantiated with the following information:

1. Model Number of unit involved.
2. Date unit was purchased or first put into service.
3. Date of failure.
4. Nature of failure.